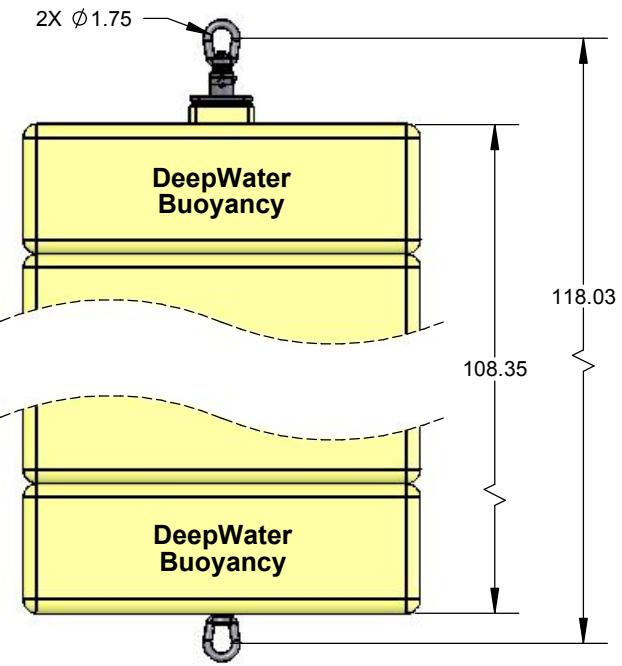
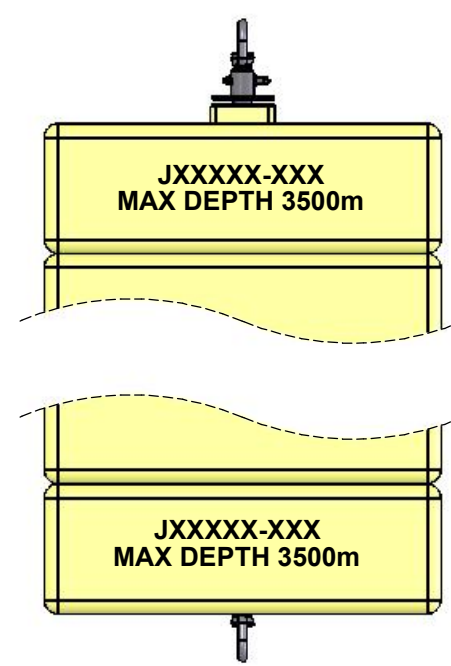
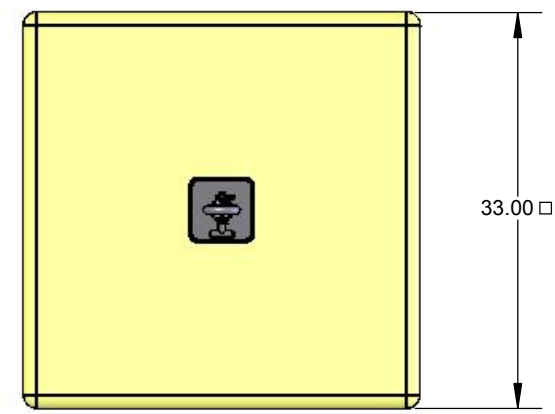
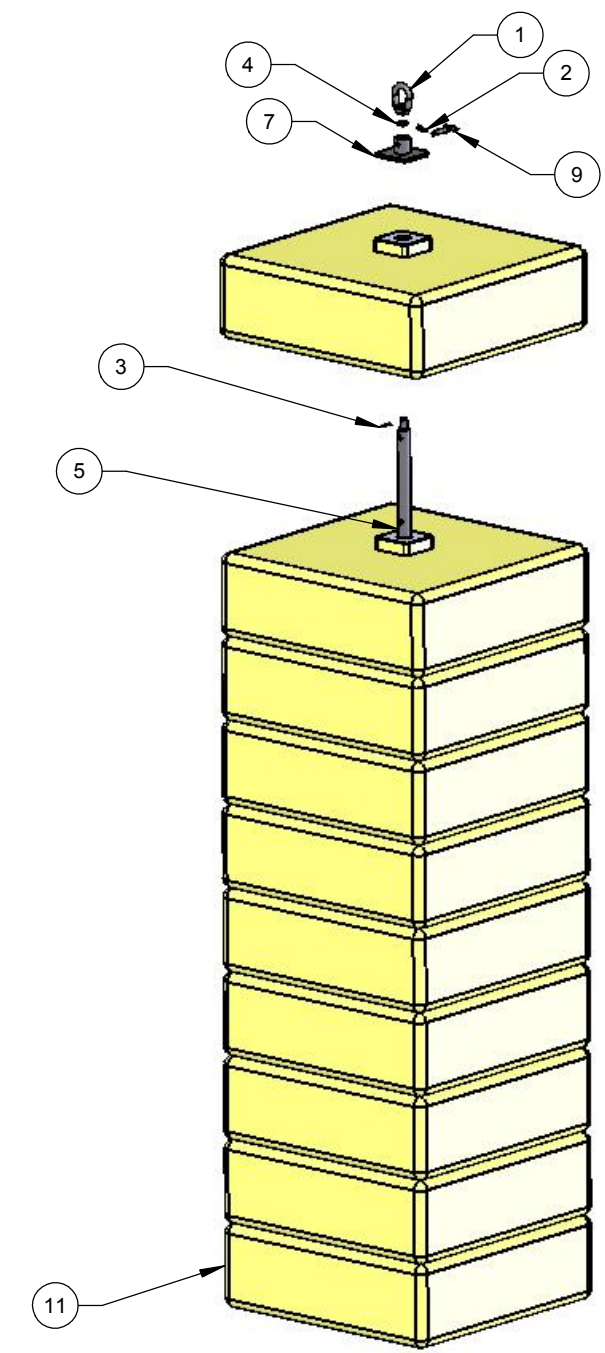


ITEM NO.	Description	Dwg. No.	Rev	Flotec No.	Material	Qty
1	.75" Oval eye nut 5200 Lb WLL	-	A	F04326	Galvanized Steel	2
2	Hairpin cotter pin	-	A	-	Zinc Plated Steel	1
3	Cotter Pin	-	-	-	Zinc Plated Steel; .125 OD x 1.5 Lg	1
4	Lock washer - 3/4"	-	-	F13481	Steel; Zinc-plated	1
5	160 Lb Modular Float System	20393	A	-	1018 STEEL - 53,700 PSI MIN YIELD; 115.35 LG X 1.5 OD	1
7	Modular Lift Rod Flange	20392	A	-	STEEL; 5.0 x 5.0 x .375 THK	1
9	Modular Lift Rod Tee Pin	20391	A	-	CRS; .500 OD x 3.5 LG	1
10	160 Lb Modular Block	20365	A	-	3500-A, 38.7pcf	10
11	160 Lb Modular Block	20365	A	-	FRP; Yellow	10
12	PVC Pipe	-	-	F01367	PVC Pipe; 1.5 ID x 2.0 OD x 13.38 Lg	10

NOTES:
1) ASSEMBLE COMPONENTS AS SHOWN.
2) STENCIL PARTS AS SHOWN.
3) MAX PASS THRU LOAD: 1,500 LBS.



REV.	DESCRIPTION	REVISIONS	DATE	DRAWN BY	CHECKED BY
A	Initial Release		20-APR-15	SCA	



Process: FINAL ASSEMBLY
Next Process: N/A

Measurement	Calculated value (lbs)	Tol (lbs)	Actual MIN	Actual MAX
Buoyancy in SW	1537	+/- 135		
Weight in air	2768			
Buoyancy in FW	1429			

Dimensions - Inches x ± 0.13 x.x ± 0.06 x.xx ± 0.030 x.xxx ± 0.010 x/xx ± 1/8 Angular ± 0.5° UNLESS OTHERWISE SPECIFIED	160 Lb Modular Float System Material: See BOM	 394 Hill St Biddeford, ME 04005, USA Tel: 1-207-502-1400 www.deepwb.com
	Original Designer: SCA	
	Dwg. No. 20365	Rev. A
	DO NOT SCALE DRAWING Scale: 1:12	Sheet 4 OF 4
		Size: B