



CLASS 5 TORQUE TOOL ISO FIG 18

This torque tool has been specifically developed to provide the highest level of performance using a high specification motor and robust gearbox in an efficient, low weight assembly. The socket is specially profiled for easy alignment. A range of control accessories is available including a precision surface torque verification unit for pre-dive testing.

The tool conforms to the ISO "class 5" interface style used extensively in the subsea industry for pipeline valve operations by ROV.

The tool uses a high specification drive motor for consistent torque output characteristics.

Features

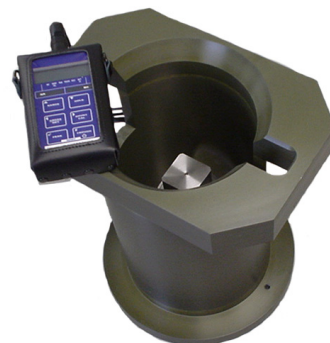
- **ISO 13628-8 Fig 18 Class 5.**
- **6750 Nm/5000 ft lbs max range.**
- **Low weight**

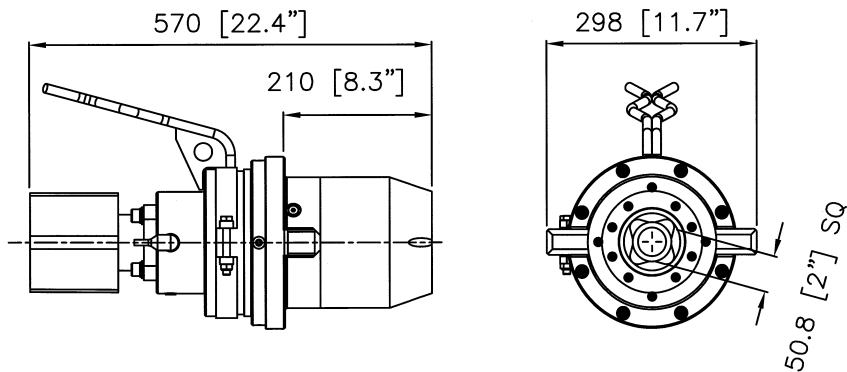


Also available with a torque verification unit for surface confirmation of torque output.

The verification unit is manufactured from marine grade aluminum alloy with an anodized finish. It is fitted with a precision torque sensor. Torque is displayed on a hand-held, battery operated digital display.

The unit is supplied with a full calibration certificate.





Specification

| | | |
|---------------------------|---|--|
| Data Sheet | : | A001-350-036 Issue 1 |
| Standard interface | : | ISO 13628-8 Fig 14 |
| Socket size | : | 2" Square |
| Maximum torque | : | 6750 Nm (5000 ftlbs) @ 140 Bar (2000 psi) |
| Recommended working range | : | 1350-6750 Nm (1000-5000 ftlbs) |
| Motor size | : | 315cc. Fluid ports 1/4" SAE |
| Materials | : | Steel motor and gearbox, duplex socket, aluminum housing, plastic nose |
| Weight | : | 54 kg in air / 41 kg in water |
| Hydraulic | : | Mineral oil |
| Sensors | : | Turns count sensor (inductive) |
| Electrical | : | Supplied with connection tail |

Options

- Torque tool control system
- Torque feedback version
- Buoyancy package
- Rear mounted turning indicator

The specification details are illustrative for marketing purposes only. Actual equipment may be different as a result of product improvement or other reasons. Specific interface and performance information should be reconfirmed at time of order placement.

Experience, Dedication, Vision

821 Jupiter Park Drive
Jupiter, Florida 33458-3946 USA
Tel: +1 561 743 7000
Fax: +1 561 743 1313

11700 Old Katy Road, Suite 150
Houston, Texas 77079-1227 USA
Tel: +1 281 249 1301
Fax: +1 281 249 1305

Enterprise Drive, Westhill
Aberdeenshire AB32 6TQ UK
Tel: +44 (0) 1224 271 480
Fax: +44 (0) 1224 400 182

Ings Lane, Kirkbymoorside
York YO62 6EZ UK
Tel: +44 (0) 1751 431 751
Fax: +44 (0) 1751 431 388